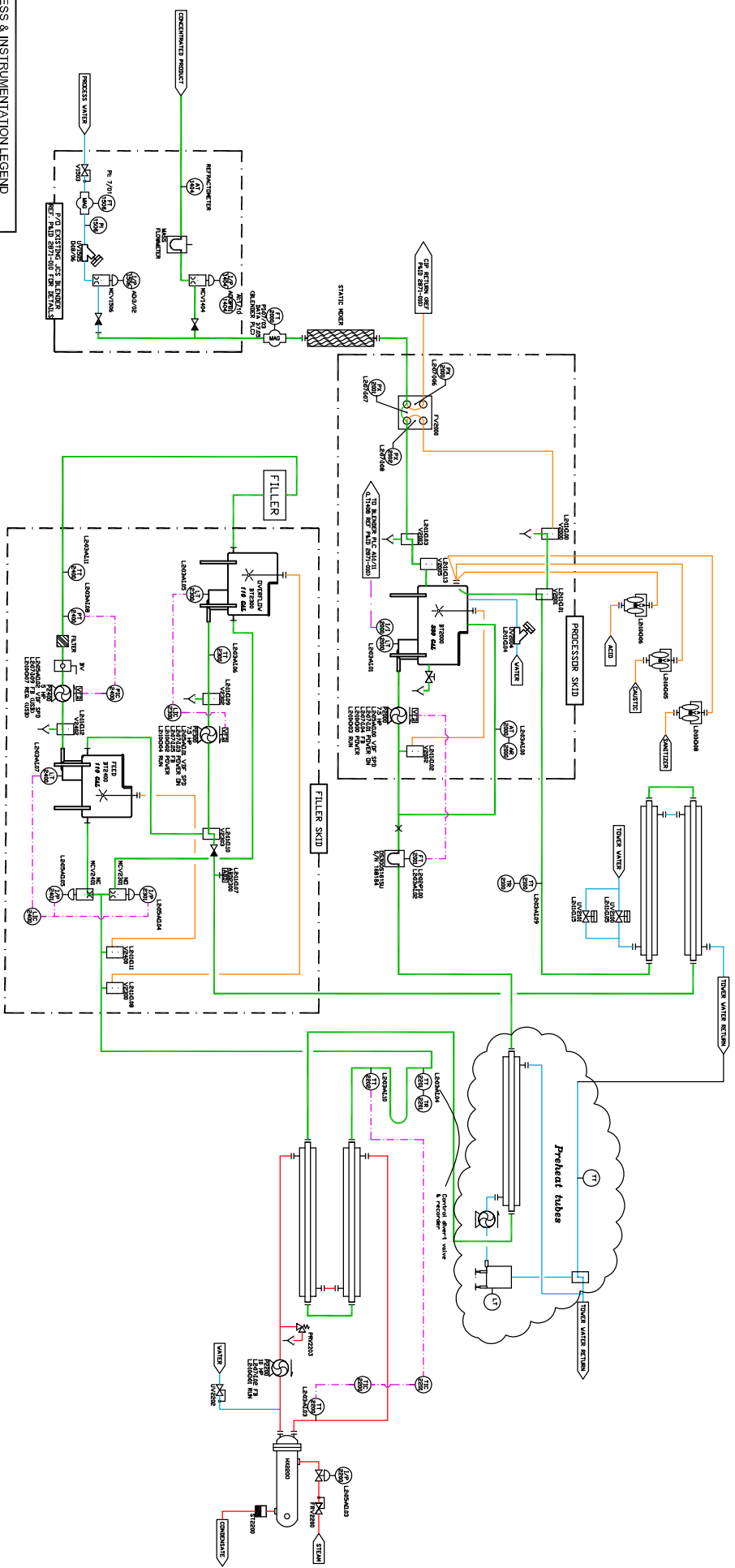


NOTE: THIS IS AN INSTRUMENTATION SKID PROCESS BOUNDARY



**PROCESS & INSTRUMENTATION LEGEND**

---	EQUIPMENT
- - - - -	SKID/PROCESS BOUNDARY
---	GP
---	PROCESS
---	COOL UTILITY
---	HOT UTILITY
---	SIGNAL